

National Crane 671E2

Quick Reference

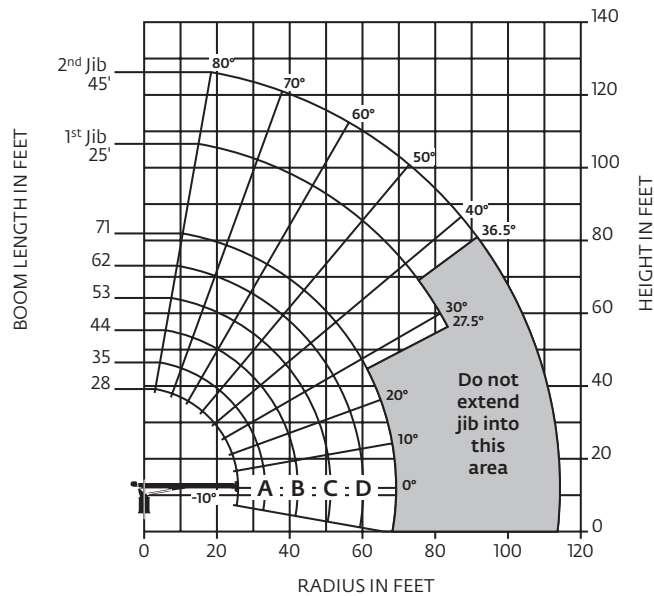
Capacity: 18,1 t (20 USt) rating

Boom: 21,64 m (71 ft)

• 24,69 m (81 ft) maximum tip height (main boom)

• 38,40 m (126 ft) maximum tip height (main boom and 13,72 m [45 ft] jib)

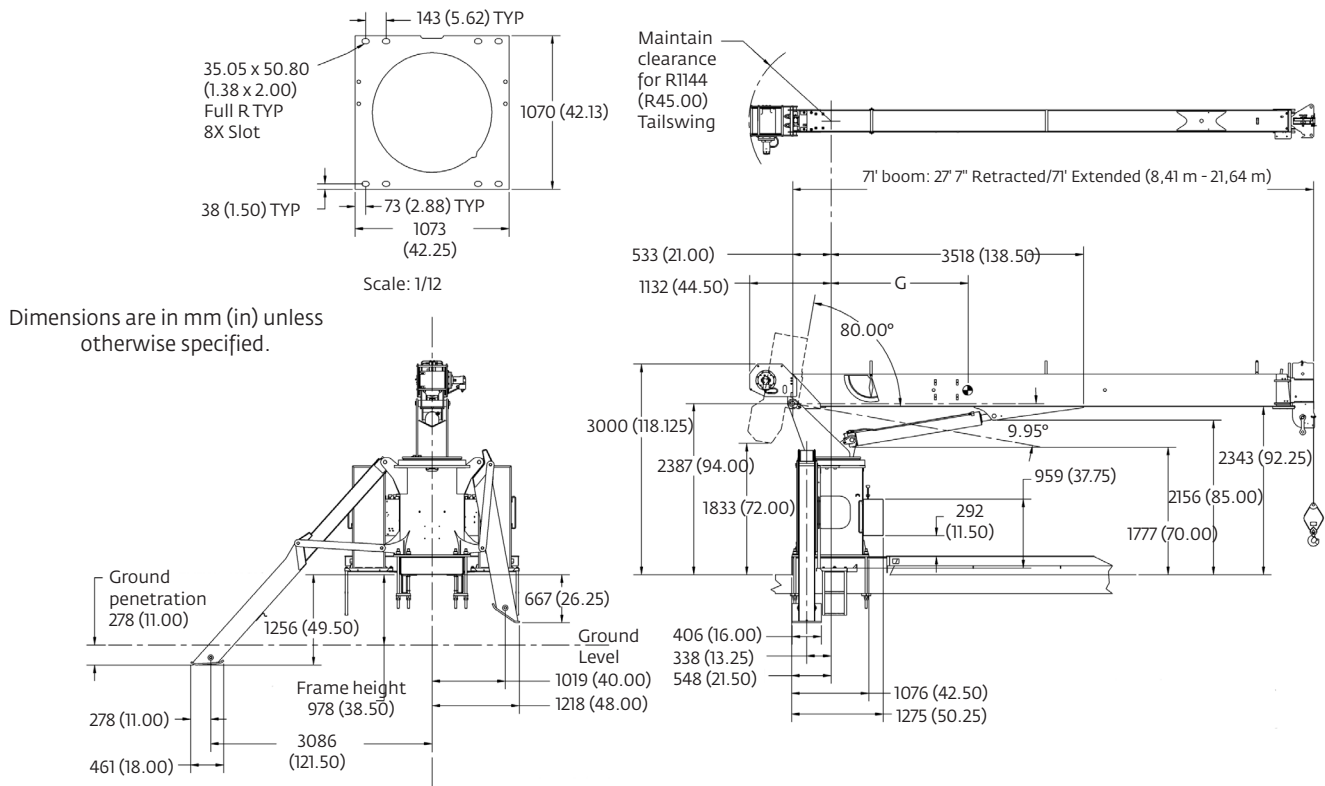
Working range: 71 ft main boom, full span outrigger, and 45 ft jib



Load chart: 71 ft main boom, full span outrigger, and 45 ft jib

LOADED RADIUS (ft)	LOADED BOOM ANGLE (deg)	28 ft BOOM (lb)	LOADED BOOM ANGLE (deg)	A 35 ft BOOM (lb)	LOADED BOOM ANGLE (deg)	B 44 ft BOOM (lb)	LOADED BOOM ANGLE (deg)	C 53 ft BOOM (lb)	LOADED BOOM ANGLE (deg)	D 62 ft BOOM (lb)	LOADED BOOM ANGLE (deg)	71 ft BOOM (lb)	LOADED BOOM ANGLE (deg)	25 ft JIB (lb)	LOADED BOOM ANGLE (deg)	45 ft JIB (lb)	
5	77	40,000															
8	70.5	25,550	75	24,750	78.5	24,250											
10	65.5	21,000	71.5	21,000	76	20,450	79	20,100									
12	61	17,900	68	17,950	73	17,450	76.5	17,150	79	16,550							
14	56	16,000	64.5	15,550	70.5	15,500	74.5	15,000	77	14,400	79	12,450					
16	50.5	14,300	60.5	13,700	67.5	13,650	72	13,250	75	12,750	77.5	12,450					
20	38	11,300	52.5	11,100	61.5	10,950	67	10,700	71	10,350	74	10,050					
25	19.5	7650	40.5	8900	53.5	8700	61	8500	66	8300	69.5	8050	75.5	4400			
30			26	6600	45.5	7100	55	7000	61	6850	65.5	6600	72.5	3900	76.5	2600	
35					35	5800	48.0	5850	55.5	5750	61	5700	69	3200	74	2450	
40					20	4100	40.0	4900	49.5	4850	56	4800	66	2750	72	2300	
45								29.5	4050	43	4050	51	4150	62.5	2350	69	2100
50								14.0	2450	35	3400	45.5	3550	59.5	2000	66.5	1900
55										25.5	2700	39	3000	55.5	1750	64	1700
60										10	1500	31.5	2500	52	1500	61	1500
65												22	1900	48	1300	58.5	1350
70														43.5	1100	55	1200
75														39	900	52	1050
80														33.5	700	48.5	900
85														27.5	600	45	800
90															41	700	
95																36.5	600
0		4200	0	3100	0	1850	0	1150	0	650							

Dimensions



Subbase	Weight	C.G. length
Standard 18 ft	1229 kg (2710 lb)	2,87 m (113 ft)
Standard 20 ft	1345 kg (2965 lb)	2,87 m (113 ft)
Standard 22 ft	1444 kg (3184 lb)	3,18 m (125 ft)

Subbase C.G. are located from center of rotation

Series	Retracted length	Extended length	Subbase	G (wet)	Dry/Wt	With oil/wt
671E2	27 ft 7 in	71 ft	20 ft	1,90 m (74.7 in)	7181 kg (15,831 lb)	7451 kg (16,426 lb)

More information about this product can be found in the National Crane Series 600E2 Product Guide.

Specifications

Boom

Comes equipped with a 21,64 m (71 ft) three-section boom. This model can be equipped with a 7,62 m - 13,72 m (25 ft - 45 ft) two-section jib.

Outriggers

Equipped with "A" type boxed slide outriggers and ASH rear stabilizers.

Controls

Dual side operator stations.
Dual engine accelerators.

Overload protection

National Crane boom trucks are equipped with overload protection. A hydraulic capacity alert system is standard on all 600E2 machines.

Torsion box

The stronger standard torsion box improves rigidity, reduces truck frame flex and reduces the need for counterweight.

Easy Glide Boom Wear Pads

Easy Glide boom wear pads reduce the conditions that cause boom chatter and vibration. The net result is smoother crane operation.

Speedy-reeve boom tip and sheave blocks

These standard features simplify rigging changes by decreasing the time needed to change line reeving.

Pre-painted components

Painting crane components before assembly reduces the possibility of rust, improves serviceability and enhances the appearance of the machine.

Serviceability

- Bearings on the boom extend and retract cables can be greased through access holes in the boom side plates

- Boom sections are supported by one hydraulic extend cylinder, minimizing maintenance

Hoist

Single speed planetary winch.