

National Crane 649E2

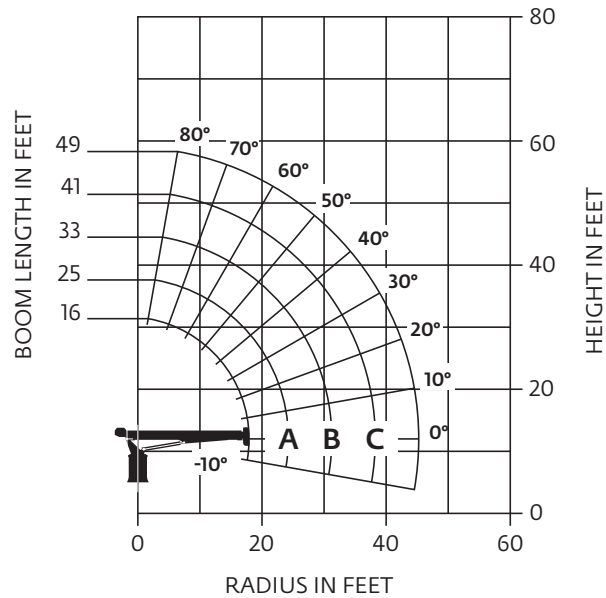
Quick Reference

Capacity: 18,1 t (20 USt) rating

Boom: 15,0 m (49 ft)

- 18,0 m (59 ft) maximum tip height (main boom)

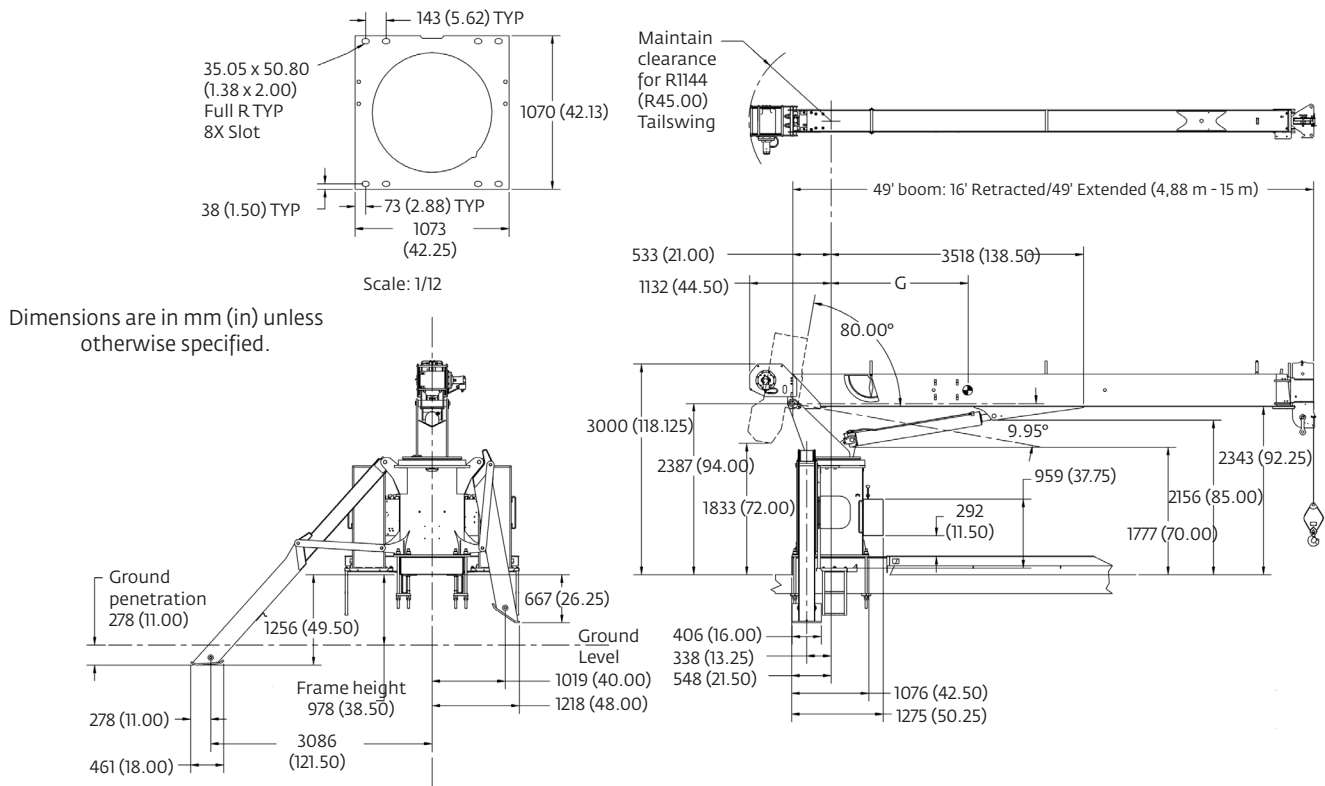
Working range: 49 ft main boom, full span outrigger



Load chart: 49 ft main boom, full span outrigger and 25 ft jib

LOADED RADIUS (FT)	LOADED BOOM ANGLE (DEG)	16 FT BOOM (LB)	LOADED BOOM ANGLE (DEG)	A 25 FT BOOM (LB)	LOADED BOOM ANGLE (DEG)	B 33 FT BOOM (LB)	LOADED BOOM ANGLE (DEG)	C 41 FT BOOM (LB)	LOADED BOOM ANGLE (DEG)	49 FT BOOM (LB)
5	67	40,000	76	38,100						
8	54	29,600	68	27,400	74	26,200	77.5	25,300		
10	44	24,700	63	23,200	70.5	22,200	74.5	21,300	77.5	19,500
12	31.5	20,400	57.5	20,200	66.5	19,250	71.5	18,450	75	17,500
14	8.5	13,750	51.5	17,750	62.5	17,000	68.5	16,300	72.5	15,000
16			45	15,750	58.5	15,200	65.5	14,550	70	13,750
20			29	12,100	49.5	12,500	59	12,050	65	11,750
25					36	9850	50	9800	58	9600
30					16.5	6950	40	8050	50.5	8050
35							27.5	6450	43	6800
40									33	5650
45									18.5	4300
	0	10,950	0	6350	0	4350	0	3200	0	2600

Dimensions



Subbase	Weight	C.G. length
Standard 18 ft	1229 kg (2710 lb)	2,87 m (113 ft)
Standard 20 ft	1345 kg (2965 lb)	2,87 m (113 ft)
Standard 22 ft	1444 kg (3184 lb)	3,18 m (125 ft)

Subbase C.G. are located from center of rotation

Series	Retracted length	Extended length	Subbase	G (wet)	Dry/Wt	With oil/wt
649E2	16 ft	49 ft	18 ft	1,28 m (50.7 in)	6481 kg (14,289 lb)	6751 kg (14,884 lb)

More information about this product can be found in the National Crane Series 600E2 Product Guide.

Specifications

Boom

Comes equipped with a 15,0 m (49 ft) four-section boom.

Outriggers

Equipped with "A" type boxed slide outriggers and ASH rear stabilizers.

Controls

Dual side operator stations.
Dual engine accelerators.

Overload protection

National Crane boom trucks are equipped with overload protection. A hydraulic capacity alert system is standard on all 600E2 machines.

Torsion box

The stronger standard torsion box improves rigidity, reduces truck frame flex and reduces the need for counterweight.

Easy Glide Boom Wear Pads

Easy Glide boom wear pads reduce the conditions that cause boom chatter and vibration. The net result is smoother crane operation.

Speedy-reeve boom tip and sheave blocks

These standard features simplify rigging changes by decreasing the time needed to change line reeving.

Pre-painted components

Painting crane components before assembly reduces the possibility of rust, improves serviceability and enhances the appearance of the machine.

Serviceability

- Bearings on the boom extend and retract cables can be greased through access holes in the boom side plates

- Boom sections are supported by one hydraulic extend cylinder, minimizing maintenance

Hoist

Single speed planetary winch.